



KINETROL™ BLUELINE

Food-Grade Rotary Vane Actuators



Kinetrol was established in 1958 and is the inventor of the vane type actuator. Since then, Kinetrol products have earned the reputation of outperforming all other actuators in high cycle, safety critical and rotary control applications. Kinetrol manufactures double-acting and spring-return pneumatic actuators along with a complete line of direct mount switch boxes, positioners and other accessories. Kinetrol actuators are used on quarter turn valves with torque requirements up to 168,000 pound-inches. Kinetrol actuators meet ANSI / C541 standards and the Kinetrol factories have been certified to ISO 9001-2008.

Kinetrol has introduced the new Blueline Actuator series specifically for the food and beverage industry. Kinetrol Blueline Rotary Vane Actuators provide a superior alternative for actuating quarter-turn valves in food and beverage applications and are guaranteed for up to 4 million operations. The proprietary coating is FDA compliant, has excellent resistance to caustic wash-down environments and has very good resistance to corrosion in salt laden environments.

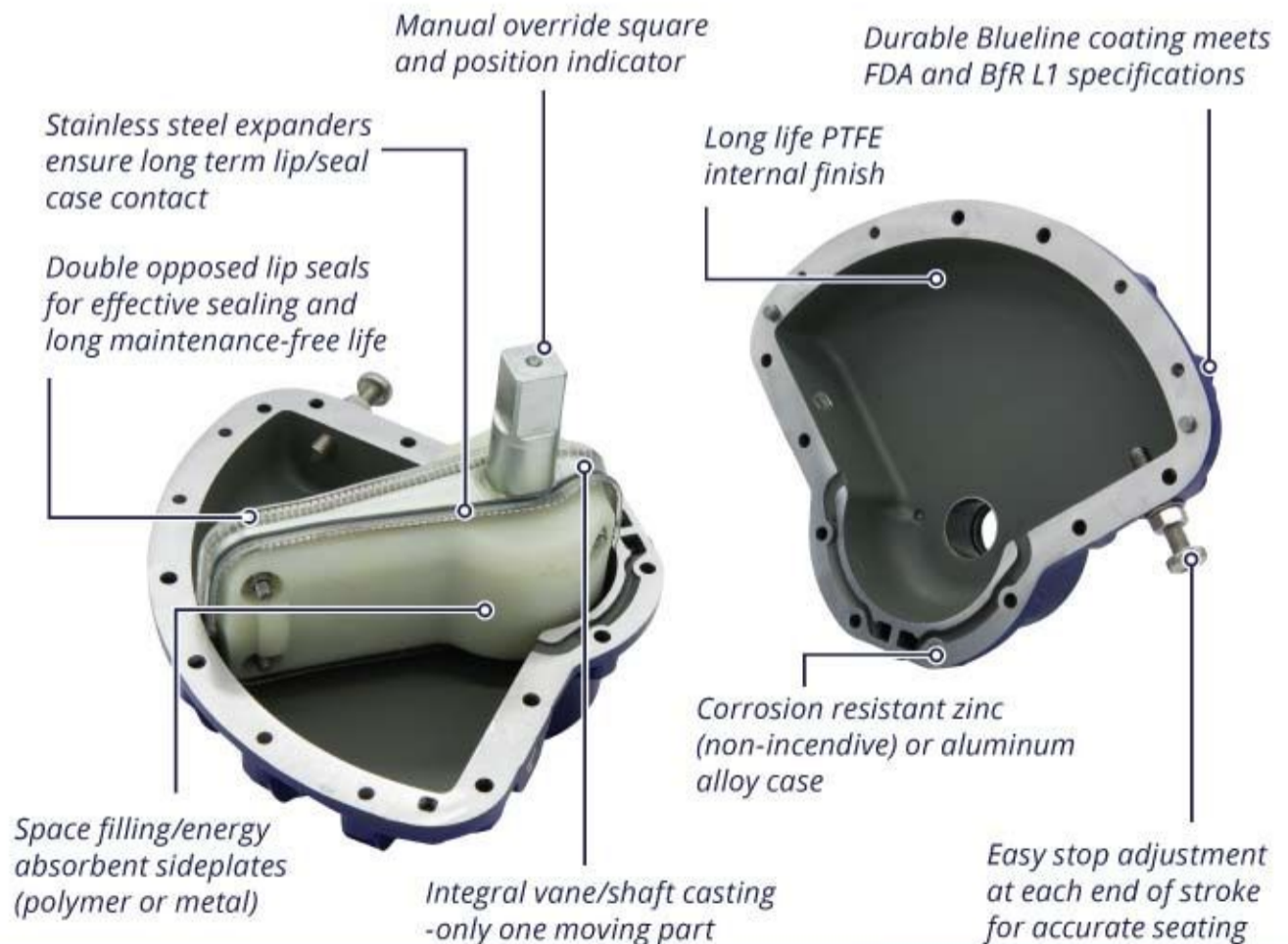


COATING STATEMENT FOR THE UNITED STATES:

This coating is permitted for use in contact with food in compliance with the Federal Food, Drug and Cosmetic Act (FDA) and all applicable regulations, including 21 CR 175.300 (Code of Federal Regulations).

The Kinetrol food grade coating system exhibits the following characteristics:

- Very good resistance to "caustic washdown" procedures as typically performed in the food industry.
- Very good resistance to corrosion in salt laden environments.
- Very good non-stick properties.



INNOVATIVE CONTROL ENGINEERS SINCE 1958

Kinetrol Ltd, 1085 Ohio Dr., Plano, TX 75093

Tel: (972) 447-9443 | Fax: (972) 447-9720

www.kinetrolusa.com | Email: sales@kinetrolusa.com

