

## HSC Series Spring Check Valve



Sanitary Valves

**Sizes:**

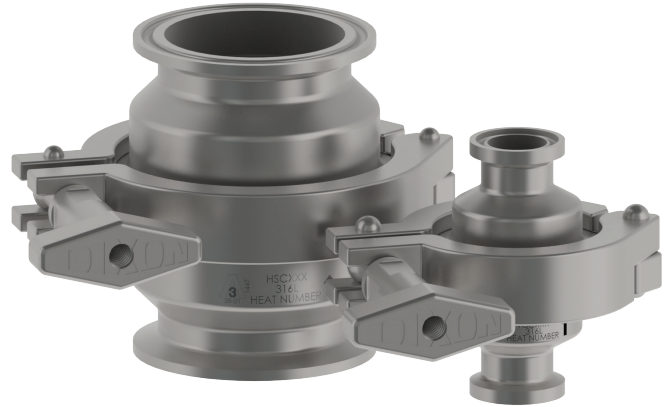
- ½" to 4"

**Material:**

- product contact: 316L stainless steel

**Features:**

- single piece upper body spider design
- machined from solid bar
- standard O-ring and gasket seal design
- can be serviced in field (no special tools required)
- finish: sanitary polish 32 R<sub>a</sub>
- suitable for low and medium viscosity fluids
- connection: clamp (standard), others available upon request



Size	Pressure Rating	Cracking Pressure (PSI)	Operating Temperature	Part Number
½"	145 PSI	10.0	15°F (-9°C) to 200°F (93°C)	HSC*050
¾"		4.0		HSC*075
1"		2.5		HSC*100
1½"		1.0		HSC*150
2"		1.5		HSC*200
2½"		0.8		HSC*250
3"		0.5		HSC*300
4"		0.4		HSC*400

\*V=FKM or E=EPDM

### Repair Kits

½"-¾" Repair Kit Contains:

- (1) body gasket
- (1) plunger O-ring
- (1) spider O-ring

1"-4" Repair Kit Contains:

- (1) body gasket
- (1) plunger O-ring

Size	Part Number
½"	HSC-RK*050
¾"	HSC-RK*075
1"	HSC-RK*100
1½"	HSC-RK*150
2"	HSC-RK*200
2½"	HSC-RK*250
3"	HSC-RK*300
4"	HSC-RK*400

\*V=FKM or E=EPDM

### Dimensions

Size	A (in)
½"	2.7
¾"	2.7
1"	3.3
1½"	3.4
2"	3.4
2½"	3.4
3"	3.4
4"	4.1



All dimensions are approximate. Engineering dimensions are available upon request. Specifications are subject to change without notice.